

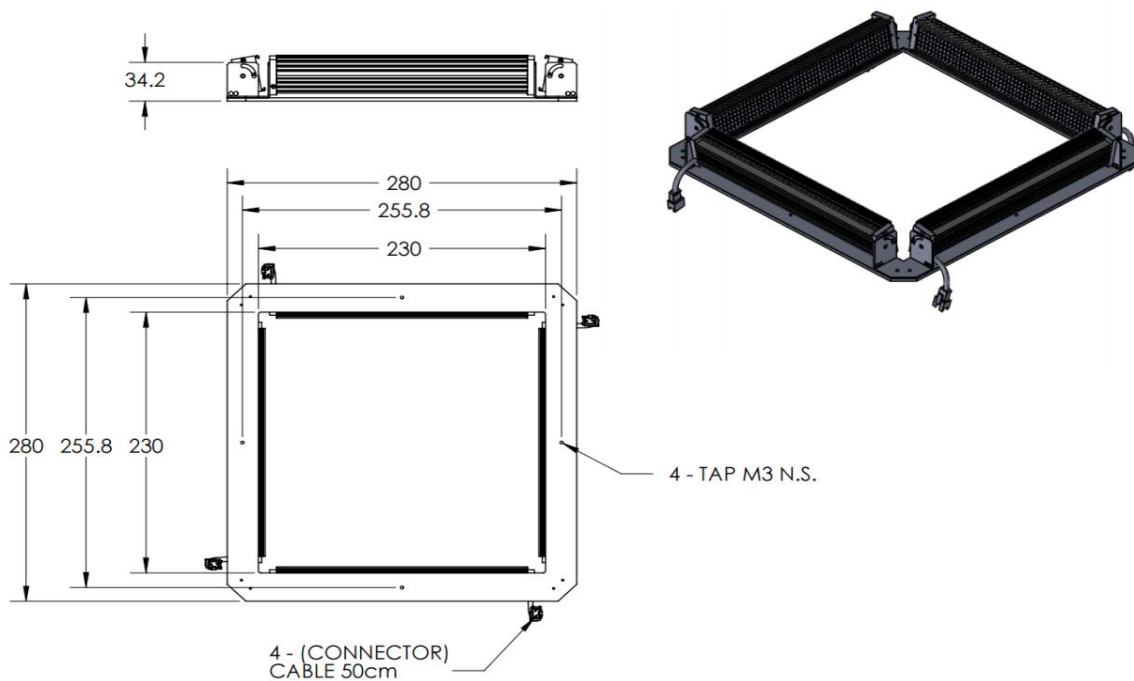


OPTO ENGINEERING

ILLUMINATOR DATA

LTZPFE200-00-6-W-24V

Lighting Dimension



Mechanical Information

| | |
|---------------------------|-----------|
| Casing Material | Aluminium |
| Storage Temperature Range | 0 - 45°C |
| Storage Humidity Range | 20 - 85% |
| Weight | 900g |
| Length / Outer Diameter | 280mm |
| Width / Inner Diameter | 230mm |
| Thickness / Height | 34.2mm |



OPTO ENGINEERING

ILLUMINATOR DATA

LTZPFE200-00-6-W-24V

| Lighting Information | | | | | | | | | | | | | | | | | | | | | | | |
|---|---|-----------|---------|-------|-------|-------|-------|-------|-------|-------|-------|------|------|---|-------|-------|-------|-------|---|-------|-------|-------|-------|
| Part Number | LTZPFE200-00-6-W-24V | | | | | | | | | | | | | | | | | | | | | | |
| LED Color | WHITE | | | | | | | | | | | | | | | | | | | | | | |
| Wavelength | REFER TO CHROMACITY TABLE | | | | | | | | | | | | | | | | | | | | | | |
| Working Distance | 357 mm | 368 mm | 379 mm | | | | | | | | | | | | | | | | | | | | |
| Intensity (±15%) | 6858.6 lx | 6659.8 lx | 6603 lx | | | | | | | | | | | | | | | | | | | | |
| Illumination (number of row) | 6 | | | | | | | | | | | | | | | | | | | | | | |
| Illumination Active Area | Active Length / Outer Dia. | 280 mm | | | | | | | | | | | | | | | | | | | | | |
| | Active Width / Inner Dia. | 230 mm | | | | | | | | | | | | | | | | | | | | | |
| Emission angle | 0 | | | | | | | | | | | | | | | | | | | | | | |
| Eye Safety Class (IEC62471) | EXEMPT | | | | | | | | | | | | | | | | | | | | | | |
| Chromaticity Table For White colour only | <table border="1"><tbody><tr><td>X</td><td>0.296</td><td>0.287</td><td>0.307</td><td>0.311</td><td>X</td><td>0.311</td><td>0.307</td><td>0.33</td><td>0.33</td></tr><tr><td>Y</td><td>0.276</td><td>0.295</td><td>0.315</td><td>0.294</td><td>Y</td><td>0.294</td><td>0.315</td><td>0.339</td><td>0.318</td></tr></tbody></table> | | | X | 0.296 | 0.287 | 0.307 | 0.311 | X | 0.311 | 0.307 | 0.33 | 0.33 | Y | 0.276 | 0.295 | 0.315 | 0.294 | Y | 0.294 | 0.315 | 0.339 | 0.318 |
| X | 0.296 | 0.287 | 0.307 | 0.311 | X | 0.311 | 0.307 | 0.33 | 0.33 | | | | | | | | | | | | | | |
| Y | 0.276 | 0.295 | 0.315 | 0.294 | Y | 0.294 | 0.315 | 0.339 | 0.318 | | | | | | | | | | | | | | |

| Electrical Information | |
|---|--------|
| Rated Constant Voltage | 24V±2% |
| Rated Constant Current | 1440mA |
| Power Consumption | 34.56W |
| Casing temperature, After 60 minutes operation | 49°C |


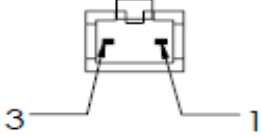
| Strobe Mode Specification | |
|-------------------------------|------------------------------|
| *Normal Strobe Voltage | 24 V |
| *Normal Strobe Current | 1440 mA |
| Overdrive Voltage Range | Min: 36V Max: 48V |
| Overdrive Current Range | Min: 2.93 A Max: 4.53 A |
| Recommended Overdrive Voltage | 36V |
| **Max. Trigger Pulse Duration | 10 msec |
| **Max. Duty Cycle | 10% |

*Normal strobe means the lighting is operated using the rated power. Overdrive means the power supplied to the lighting exceeded the rated power.

**Overdrive condition must not exceed the max. trigger pulse duration and max. duty cycle.

ILLUMINATOR DATA

LTZPFE200-00-6-W-24V

| Connection Information | | | |
|--|-------------|--------|--------------|
| Connector Type (Default) | JST SMR-03V | | |
| Cable Length | 50 cm | | |
| Pin Configuration  | Pin | Signal | Cable Colour |
| | 1 | LED + | Red |
| | 2 | N.C | - |
| | 3 | LED - | White |
|  | | | |

| Additional Information | |
|--------------------------------|--|
| Additional Cooling Method | Attached to machine part for better heat dissipation |
| Intensity Controller Selection | SD, ST, ANG, LC, SDA, SDP series |
| CE Conformity | YES |
| RoHS Compliance | YES |

| Application | |
|-------------------|--|
| Illumination Type | Direct Illumination |
| Application Use | Label Inspection, Character Inspection, Code Recognition |



OPTO ENGINEERING

ILLUMINATOR DATA

LTZPFE200-00-6-W-24V

| Lighting Pattern | | | | |
|-------------------|--|-----------|----------|-----------|
| Working Distance | For further details please contact us. | | | |
| Display and Image | | | | |
| Data Results | Horizontal | Meas.(mm) | Vertical | Meas.(mm) |
| | 90% | | 90% | |
| | 80% | | 80% | |
| | 70% | | 70% | |
| | 60% | | 60% | |
| | 50% | | 50% | |
| | 40% | | 40% | |
| | 30% | | 30% | |
| | 20% | | 20% | |
| | 10% | | 10% | |
| | | | | |